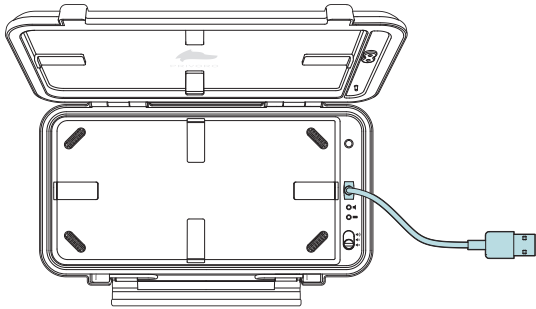
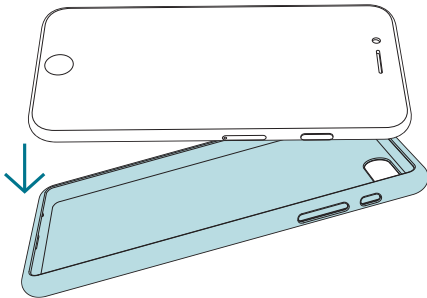


Vault™ Quick Start Guide

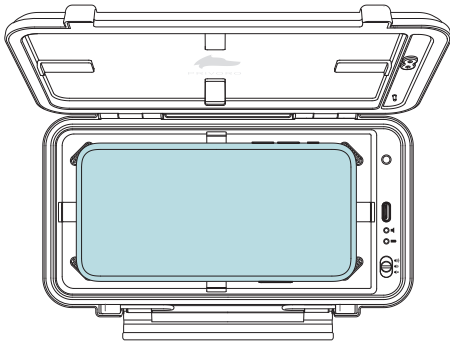
- 1 Connect the Vault to a power source using the charging cable provided. Fully charge before using.



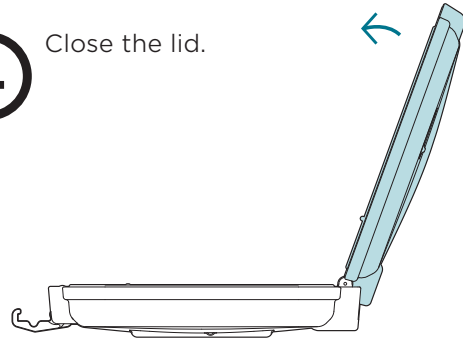
- 2 Remove all protective cases from smartphone (e.g., Otterbox, Mophie).



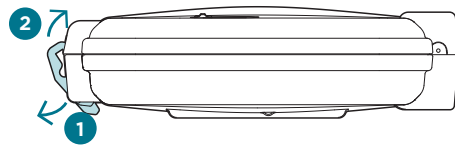
- 3 Place smartphone in center of Vault interior.



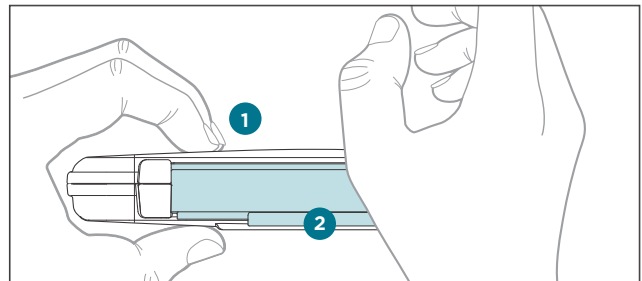
- 4 Close the lid.



- 5 Lift from bottom of latch and place the top part of the latch on the latch rail.

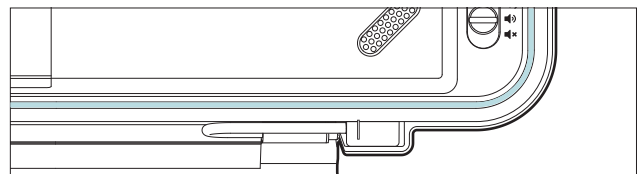


- 6 While squeezing the lid and base together, use the heel of your hand to push firmly on the bottom of the latch until the case snaps closed.



Vault Care, Maintenance and Storage

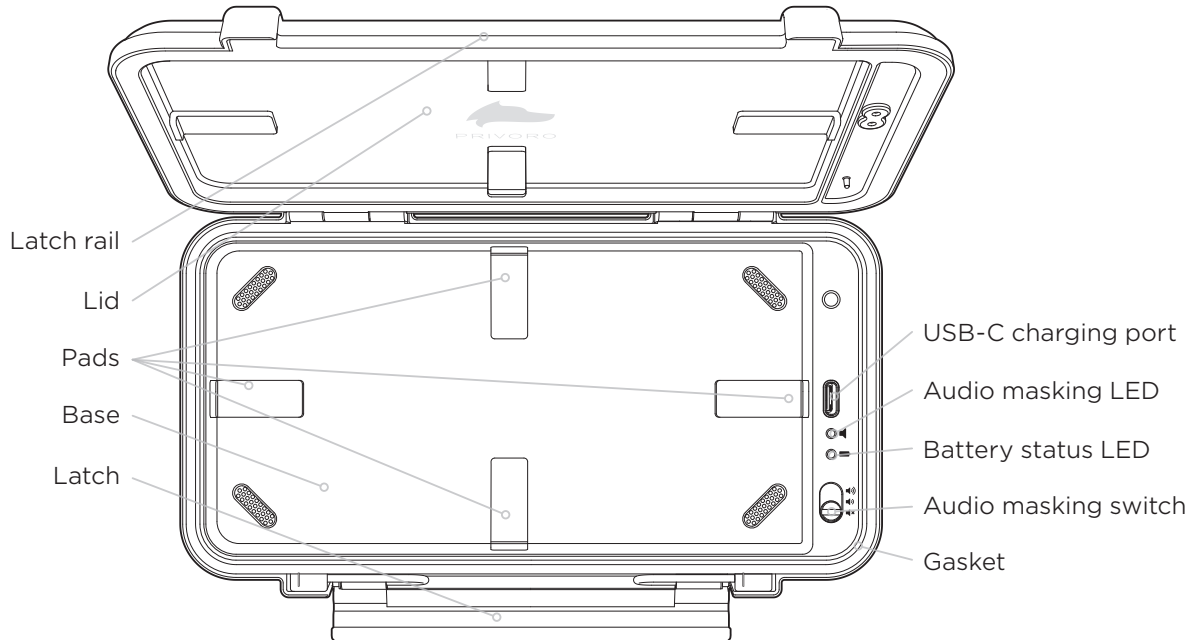
To maintain Vault's RF protection levels, keep the gasket clean and free of debris. For additional information see the Care, Maintenance and Storage recommendations in the Vault User Manual at Privoro.com/support.



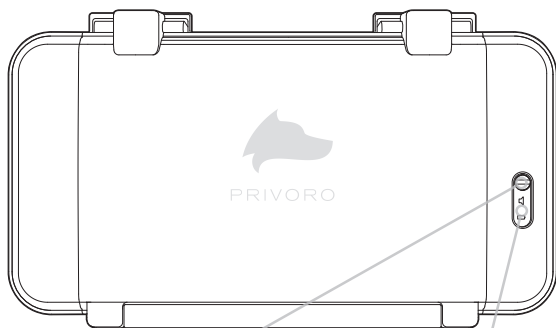
Vault™ Quick Start Guide

Vault components

Inside



Top



Bottom

