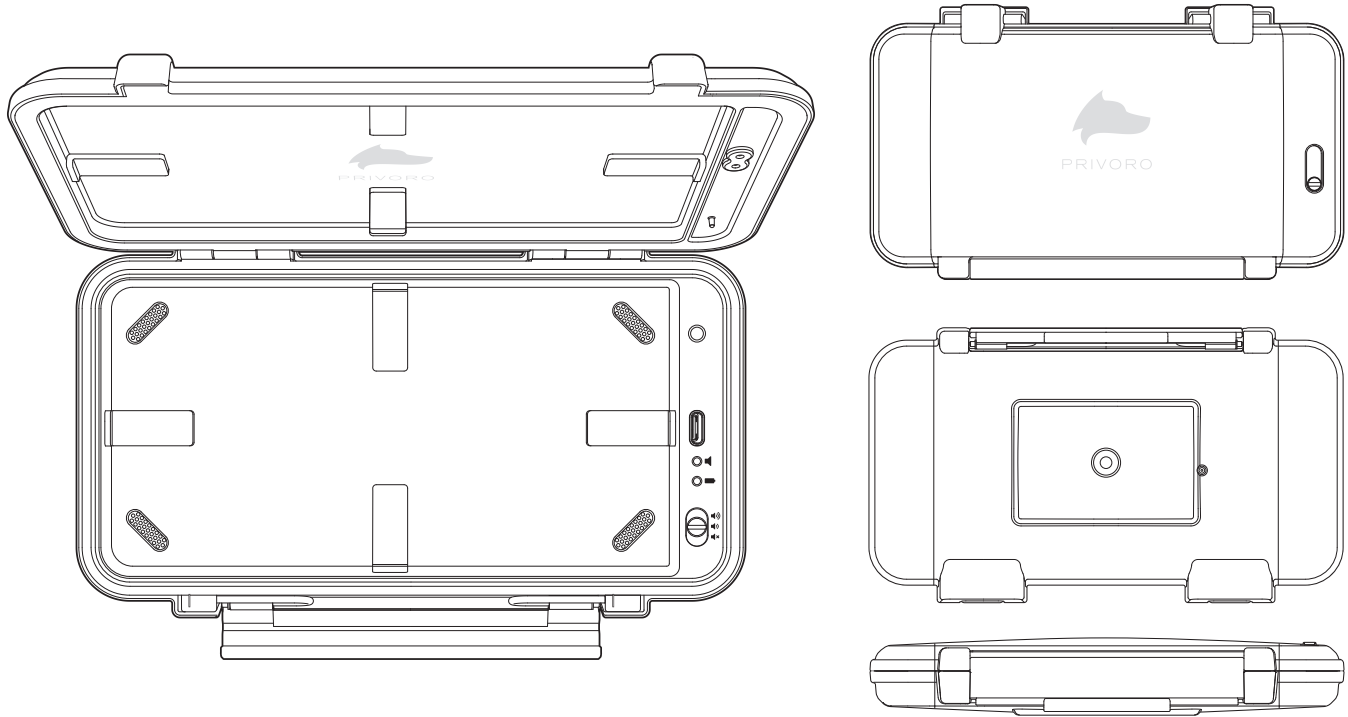


Vault™ Tech Specs



SUMMARY

Battery	LiPolymer (LiPo) 3.8 V, 4,000 mAh, 15.2 Wh
Battery Life	2+ days in Standard masking mode, ~6 hours in Maximum masking mode, Standby mode: No masking signal; battery status LED pulses to indicate remaining battery life.
Dimensions (Ext.)	189.91 mm (7.47 inches) x 30.58 mm (1.20 inches) x 109.95 mm (4.32 inches)
Dimensions (Int.)	162.32 mm (6.39 inches) x 10.54 mm (0.41 inches) x 82.14 mm (3.23 inches)
Weight	0.47 kg (1.05 lbs)
(Max.) Device Size	Accommodates mobile devices up to 158.5 mm (6.24 inches) x 8.5 mm (.33 inches) x 78.5 mm (3.09 inches)
Audio	Proprietary audio masking
RF Attenuation	A minimum of 100 dB of RF attenuation from 500 MHz to 6 GHz
Port	USB-C fast charging port
LEDs	Mode, power
Switch	Adjusts audio masking level
Mount	Built-in ¼" - 20 mounting screw

Vault™ Tech Specs

BATTERY LIFE

2+ days in Standard masking mode (in quiet environments), ~6 hours in Maximum masking mode

- Standard audio masking mode: Utilizes adaptive masking to automatically adjust masking signal power levels based on ambient sound level. Quieter environments consume less power while noisier environments consume more. This mode maximizes product battery life and minimizes masking signal obtrusiveness.
- Maximum audio masking mode: Masking signals play continuously at peak power. This mode enables users to choose maximum protection, at a cost of shorter battery life. Note, masking signals will be more noticeable in this mode.
- Standby mode: No masking signal; battery status LED pulses to indicate remaining battery life.

CHARGING

- Includes 3' USB-A 3.0 to USB-C high-speed charging cable; DCP, CDP and SDP compliant

CHARGE TIME

- ~3 hours with a 2A charger

AUDIO MASKING

- Two levels of proprietary audio masking
- Masks speech intelligibility up to voice level of 90 dBA at one meter
- Masks speech presence up to voice level of 80 dBA at one meter

LEDS

Mode LEDs

- Displays audio masking status

Power LEDs

- Displays battery power level and charging status

SWITCH AND COVER

- Turns Vault audio masking on and off
- Adjusts audio masking level
- Sliding privacy cover to prevent LED visibility outside of a closed Vault

HINGES

- Friction hinges for high variability of open positions (rack or shelf-based fleet charging, etc.)

MOUNTING SCREW

- Built-in ¼" - 20 mounting screw to support standard adaptors which allow vehicle and other mounting solutions

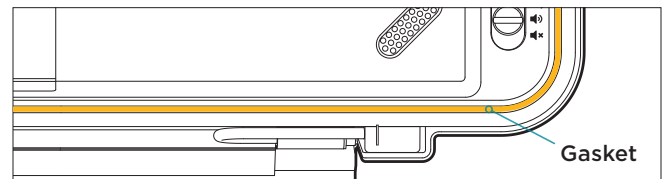
CARE, MAINTENANCE AND STORAGE

Care and Maintenance Recommendations

- Apply gentle pressure while you wipe the surface of the gasket with a cotton ball or swab dampened with isopropyl alcohol or an alcohol wipe. Privoro recommends doing this as needed but no less than every 500 open/close cycles (or every three months).

Storage Recommendations

- Closed: Turn audio masking OFF, then close and latch the lid. This prevents dirt/dust build-up on the gasket.
- Open: For continuous charging, the lid needs to remain open. Before using, make sure gasket is clean and free of debris.



CERTIFICATIONS AND MANUFACTURING

- IP54 certification for water and dust ingress
- Drop certified up to 6 feet onto plywood over concrete
- Manufactured in a U.S.-based ITAR facility
- Vault surpasses the U.S. military's MIL-STD-188-125 standard for compliance

